

TECHNICAL DATA

TYPE

Professional LED projectors for **Public Lighting**.

Can be used in Highway or any public road and in Parks.

CHARACTERISTICS

LEDs: 5050

Nomial efficacy:160 lm/W

Maximum LED: 1000mA

Lifetime L90B10:>50,000 hours

Luminous flux and efficacy at 5700°K and CRI>80

Luminous flux tolerance <+/-3%

Values may be subject to change du LED binning.

OPENING/BEAM

High efficiency Ra>80 LED. 20°

MATERIAL

Die-cast aluminium, Transparent 4mm

tempred-Glass

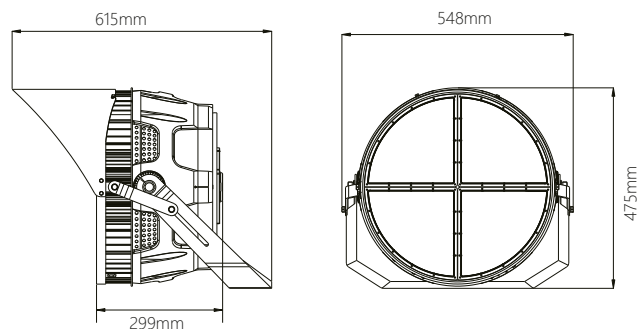
Aluminum frame

Steel Galvanized and painted bracket

| | | |
|---------------------|----------|------------------|
| PRO | CRI ≥ 80 | |
| IP66 | 50000h | 20° |
| 100-277V 50/60Hz | | 5 YEARS WARRANTY |

| | |
|---------------------------|---------------|
| Model: | Capo |
| Format: | Round |
| Location: | Exterior |
| Wattage: | 1200W |
| Materials: | Aluminium |
| Led Color: | 5700K |
| Product Dimension: | 615*548*475mm |
| IP Code: | 66 |
| Fixation: | Surface |
| CRI : | 80 |
| Lumen Output: | 192000LM |
| Frequency: | 50/60 Hz |
| Beam Angle: | 20° |
| Net Weight: | 26Kgs |

DIMENSION DRAW



OUTDOOR